

- GENERAL**
- THIS DRAWING SHALL BE READ IN CONJUNCTION WITH THE REST OF THE DRAWINGS.
  - FEATURES OF CONSTRUCTION NOT FULLY SHOWN SHALL BE OF THE SAME CHARACTER AS SHOWN FOR SIMILAR CONDITIONS.
  - WHERE DOCUMENTS ARE REFERENCED IN THE GENERAL AND DESIGN NOTES, THEY SHALL BE THE LATEST EDITIONS, UNLESS OTHERWISE NOTED OR SHOWN.
  - READ STRUCTURAL DRAWINGS IN CONJUNCTION WITH SEPARATELY BOUND SPECIFICATIONS AND ALL OTHER CONTRACT DOCUMENTS.
  - BEFORE PROCEEDING WITH WORK, CHECK ALL THE DIMENSIONS SHOWN ON STRUCTURAL DRAWINGS AGAINST ARCHITECTURAL, MECHANICAL AND ELECTRICAL DRAWINGS AND EXISTING SITE CONDITIONS. REPORT INCONSISTENCIES TO CONSULTANT BEFORE PROCEEDING WITH THE WORK.
  - CHECK AND VERIFY IN THE FIELD ALL SIZES AND DIMENSIONS INVOLVING THE EXISTING STRUCTURE AND COORDINATE WITH NEW CONSTRUCTION.
  - VERIFY AND OBTAIN PRIOR APPROVAL OF DIMENSIONS AND LOCATIONS OF ALL OPENINGS, PIPE SLEEVES, SLOTS, TRENCHES AND ELECTRICAL FLOOR DUCTS AS REQUIRED BY OTHER TRADES.
  - NO OPENINGS OTHER THAN THOSE SHOWN ON THE DRAWINGS SHALL BE MADE THROUGH SLABS, BEAMS OR BEARING WALLS, UNLESS PRIOR APPROVAL IS OBTAINED FROM THE CONSULTANT.
  - DIMENSIONS ARE IN (INCHES) UNLESS NOTED OTHERWISE. ELEVATIONS ARE IN FEET AND INCHES UNLESS NOTED OTHERWISE.
  - SCALES NOTED ON DRAWINGS ARE FOR GENERAL INFORMATION ONLY.
  - DO NOT SCALE DRAWINGS.

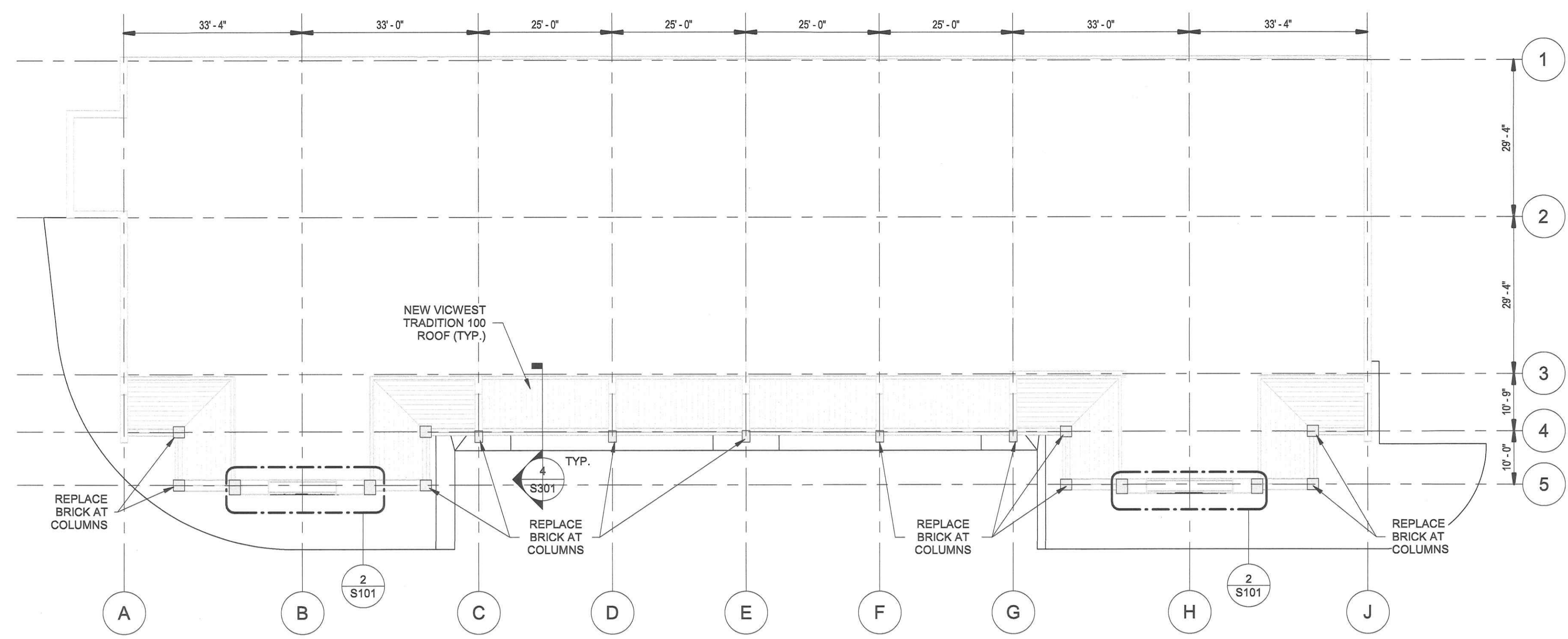
- REVIEW OF CONSTRUCTION**
- THE CONTRACTOR SHALL ASSUME COMPLETE RESPONSIBILITY FOR FULL SUPERVISION OF CONSTRUCTION WORK. SITE VISITS AND REVIEW BY DESIGN ENGINEER OR THE ENGINEER'S REPRESENTATIVE ARE INTENDED FOR THE SOLE PURPOSE OF ASCERTAINING CONFORMANCE WITH THE GENERAL DESIGN CONCEPT. THEIR REVIEW SHALL NOT MEAN THAT THE ENGINEER HAS SEEN ALL CONSTRUCTION PROCEDURES, RESPONSIBILITY FOR WHICH SHALL REMAIN WITH THE CONTRACTOR PERFORMING THE WORK. REVIEW BY THE ENGINEER SHALL NOT RELIEVE THE CONTRACTOR OF THE RESPONSIBILITY FOR ERRORS AND OMISSIONS AND FOR MEETING ALL THE REQUIREMENTS OF THE CONSTRUCTION DOCUMENTS.
  - THE CONTRACTOR SHALL PAY COSTS FOR UNCOVERING AND MAKING GOOD WORK THAT IS COVERED BEFORE REQUIRED INSPECTION OR TESTING IS COMPLETED AND ACCEPTED BY THE ENGINEER AND INSPECTION AUTHORITY.

- DESIGN & CONSTRUCTION**
- STRUCTURE DESIGNED IN ACCORDANCE WITH LATEST VERSION OF:
    - ONTARIO BUILDING CODE
    - CSA S16-14
    - CSA A23.3-14
    - CSA S136-16
    - CSA 086-14

- WOOD**
- FOLLOW CWC 2010 FOR FABRICATION, ERECTION AND NAILING REQUIREMENT.
  - ALL NEW CARPENTRY DESIGN AND WORK SHALL CONFORM TO CSA 0-86.1 "ENGINEERING DESIGN IN WOOD" LATEST EDITION.
  - ALL NEW LUMBER SHALL BE SPF GRADE NO.1/NO.2.
  - CSP SHALL CONFORM TO CSA 0-151 "CANADIAN SOFTWOOD PLYWOOD".

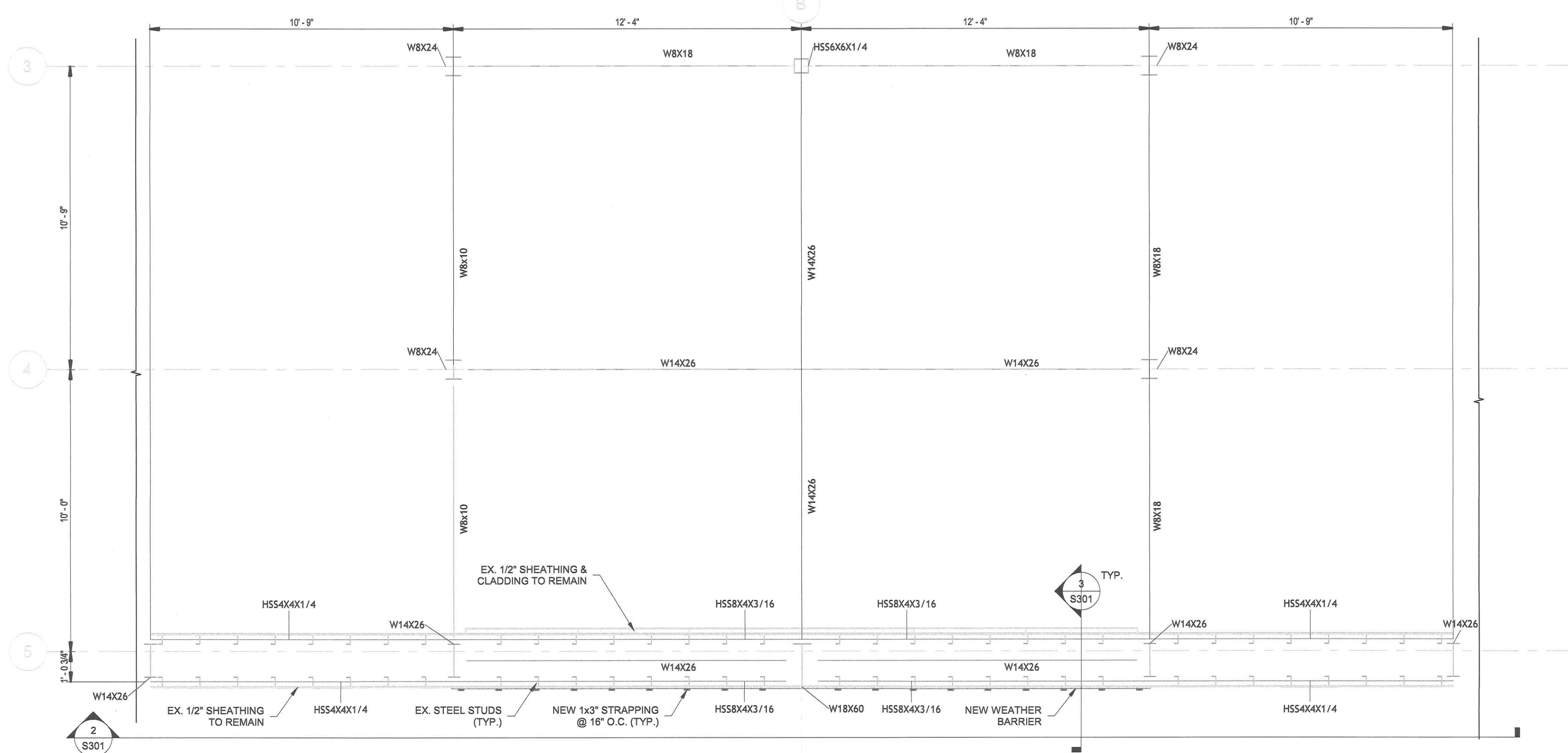
- REPLACEMENT BRICK**
- NEW BRICK SHALL BE HOLLOW CLAY BRICK, GRADE EG, CONFORMING TO CSA A82. THE OWNER SHALL SELECT THE REPLACEMENT BRICK FROM SAMPLES PROVIDED BY THE CONTRACTOR.

- ROOFING AND CLADDING MATERIALS**
- ROOF UNDERLAY SHALL BE DUPONT TYVEK® ROOF PROTECTOR, OR APPROVED EQUIVALENT.
  - WEATHER BARRIER SHALL BE DUPONT TYVEK®, OR APPROVED EQUIVALENT, INSTALLED BEHIND ALL CLADDING AND NEW BRICK VENEER.
  - PREPAINTED STEEL ROOF CLADDING SHALL BE VICWEST TRADITION 100, 22 GAUGE. COLOUR SHALL BE SELECTED BY THE OWNER.
  - PREPAINTED STEEL WALL CLADDING SHALL BE METALUNIC MODERNO, 26 GAUGE. COLOUR SHALL BE SELECTED BY THE OWNER.
  - PREPAINTED STEEL FLASHINGS SHALL BE 26 GAUGE. COLOUR SHALL BE SELECTED BY THE OWNER.



**SITE PLAN**  
SCALE: 1/16" = 1'-0"

- NOTES**
- ALL ELEMENTS ARE EXISTING
  - REFERENCE DRAWINGS: GRAFF A.4.00, A.1.10 AND ROSEMOUNT S.2, A.5 & A.6



**EXISTING AND NEW FRAMING PLAN**  
SCALE: 3/8" = 1'-0"

**USE AND INTERPRETATION OF DRAWINGS:**  
DRAWINGS ARE NOT TO BE SCALED.  
**UNAUTHORIZED CHANGES:**  
THIS DRAWING AND DESIGN IS COPYRIGHT PROTECTED WHICH SHALL NOT BE USED, REPRODUCED OR REVISED WITHOUT WRITTEN PERMISSION BY EFI. THE CONTRACTOR SHALL CHECK AND VERIFY ALL DIMENSIONS. REPORT ALL ERRORS AND OMISSIONS PRIOR TO COMMENCING WORK.

DATE	REV.	ISSUED FOR CONSTRUCTION	EFI
2026/06/05	1	ISSUED FOR CONSTRUCTION	EFI
2025/11/28	0	FOR TENDER	EFI

ISSUED STATUS:

**FOR CONSTRUCTION**

DRAWN BY:	INITIALS:	YYYY/MM/DD
N.B.		2026/06/05
DESIGNED BY:	D.M.	2026/06/05
DRAWING CHECKED BY:	D.M.	2026/06/05
QC BY:	D.M.	2026/06/05
PM:	G.C.	2026/06/05



UNAUTHORIZED USE OF DATA; DISCLOSURE OF TECHNICAL INFORMATION CONTAINED HEREIN; OR REPRODUCTION OF THIS DOCUMENT IN WHOLE OR IN PART FOR USE BY THIRD PARTIES IS PROHIBITED WITHOUT PRIOR WRITTEN PERMISSION FROM EFI ENGINEERING INC.

**EFI ENGINEERING**  
T: (613) 936-0148  
engineer@efiengineering.com  
www.efiengineering.com

CLIENT: PEACE TREE MALL  
167 AKWESASNE INTERNATIONAL ROAD  
CORNWALL ISLAND, ONTARIO

SITE: PEACE TREE MALL

TITLE: FACADE RENOVATION  
GENERAL NOTES & SITE/FRAMING PLAN

SCALE: AS SHOWN      DATE: 2025/11/21

PROJECT NO:	DRAWING NO:	REVISION:
7940	S101	1

NOTES

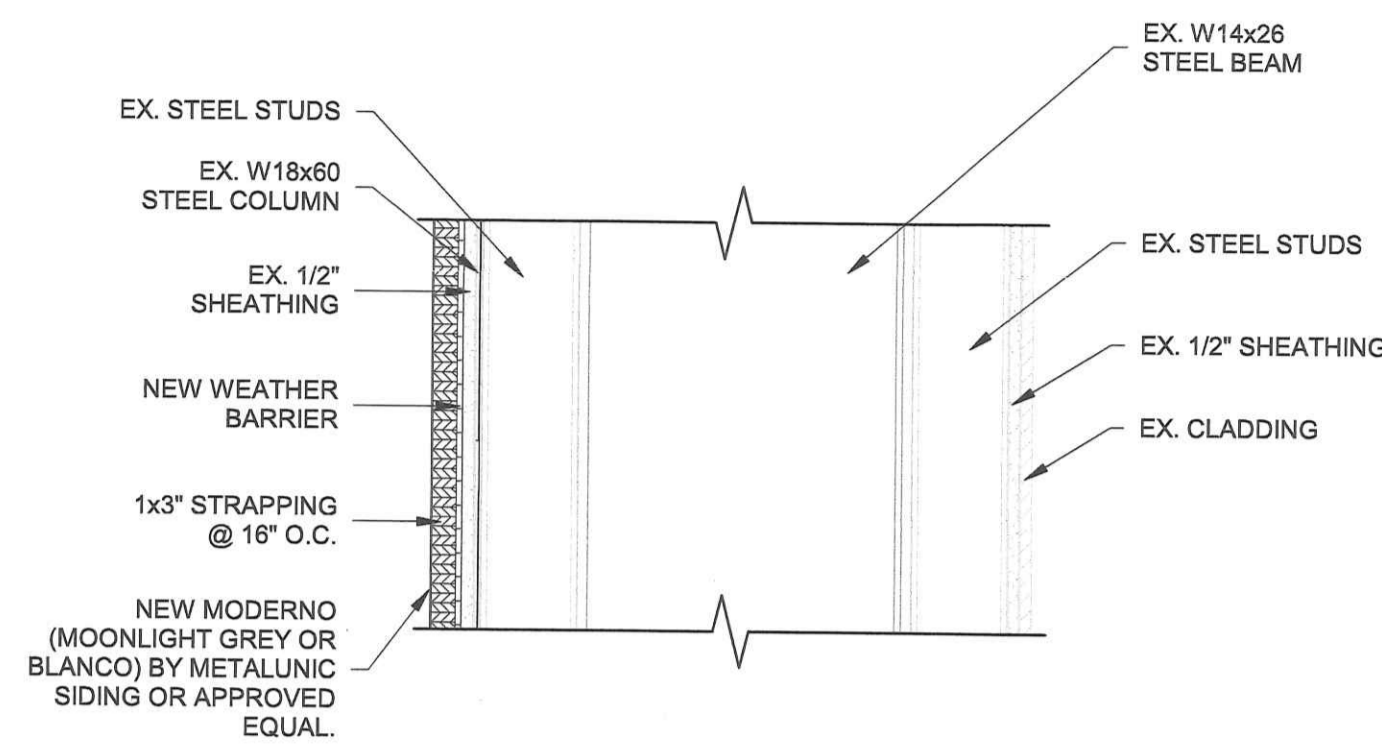
- ALL MEMBERS ARE EXISTING
- REFERENCE DRAWINGS: GRAFF A.4.00, A.1.10 AND ROSEMOUNT S.2, A.5 & A.6

USE AND INTERPRETATION OF DRAWINGS:

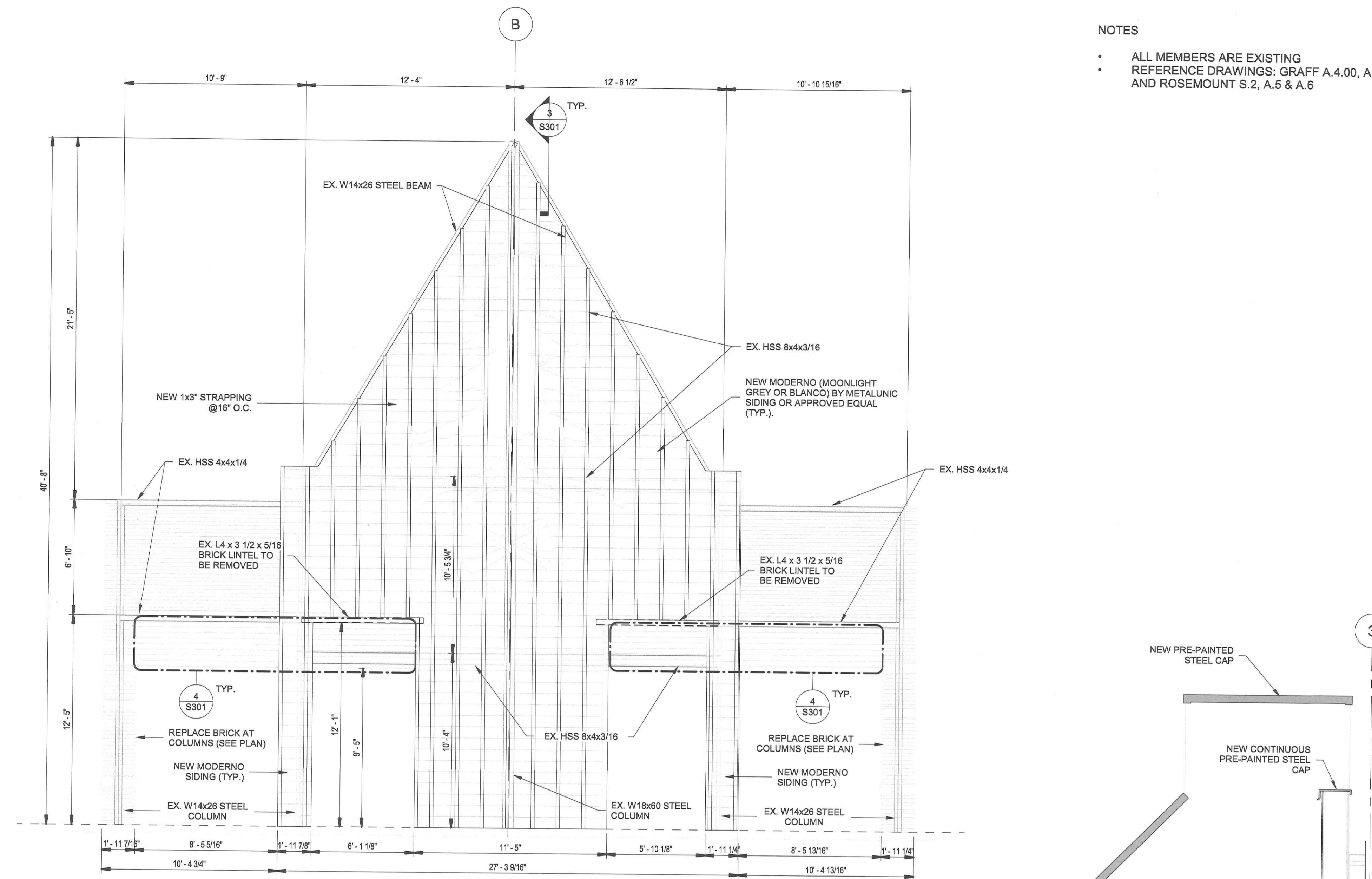
DRAWINGS ARE NOT TO BE SCALED.

UNAUTHORIZED CHANGES:

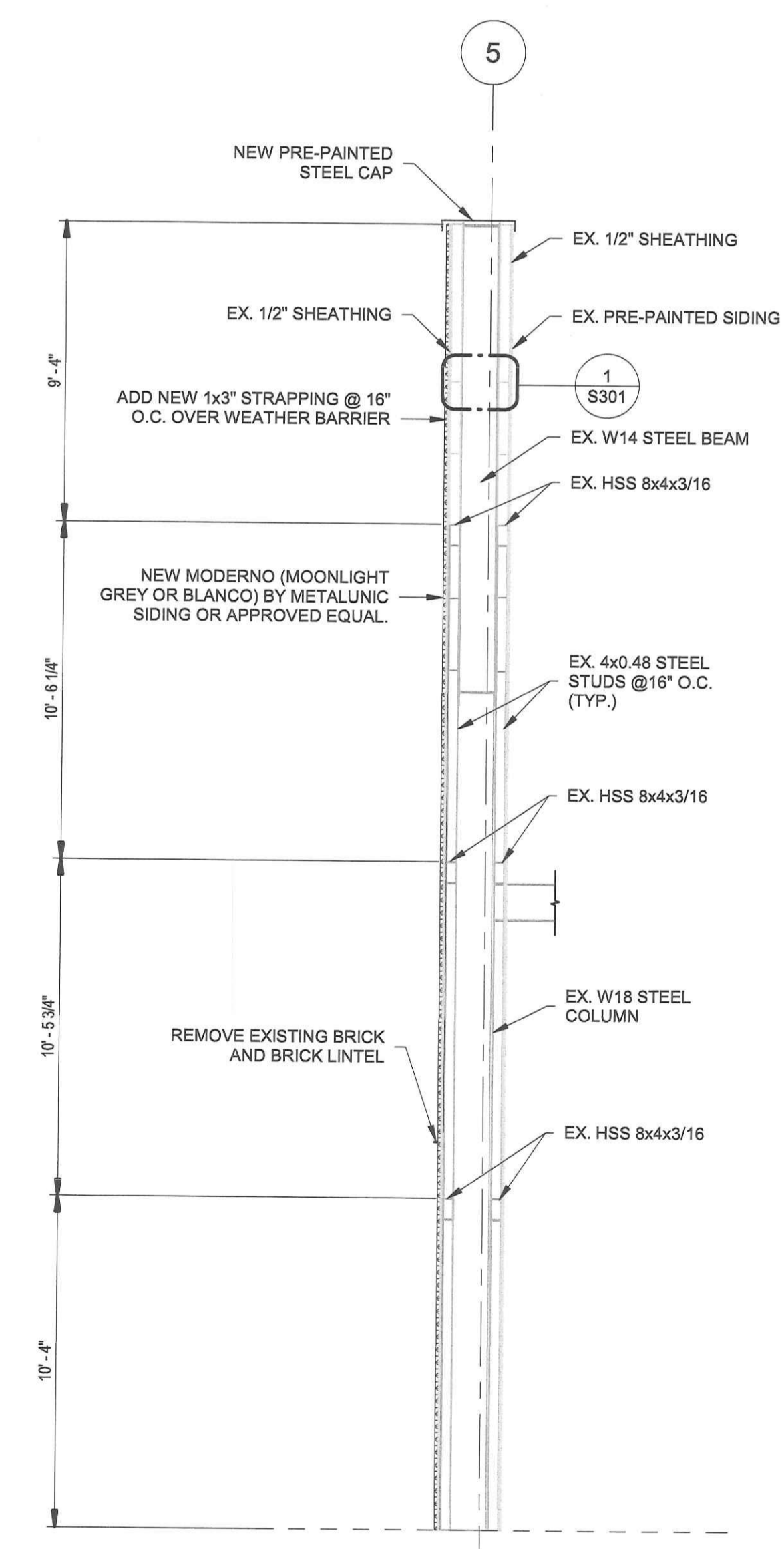
THIS DRAWING AND DESIGN IS COPYRIGHT PROTECTED WHICH SHALL NOT BE USED, REPRODUCED OR REVISED WITHOUT WRITTEN PERMISSION BY EFI. THE CONTRACTOR SHALL CHECK AND VERIFY ALL DIMENSIONS. REPORT ALL ERRORS AND OMISSIONS PRIOR TO COMMENCING WORK.



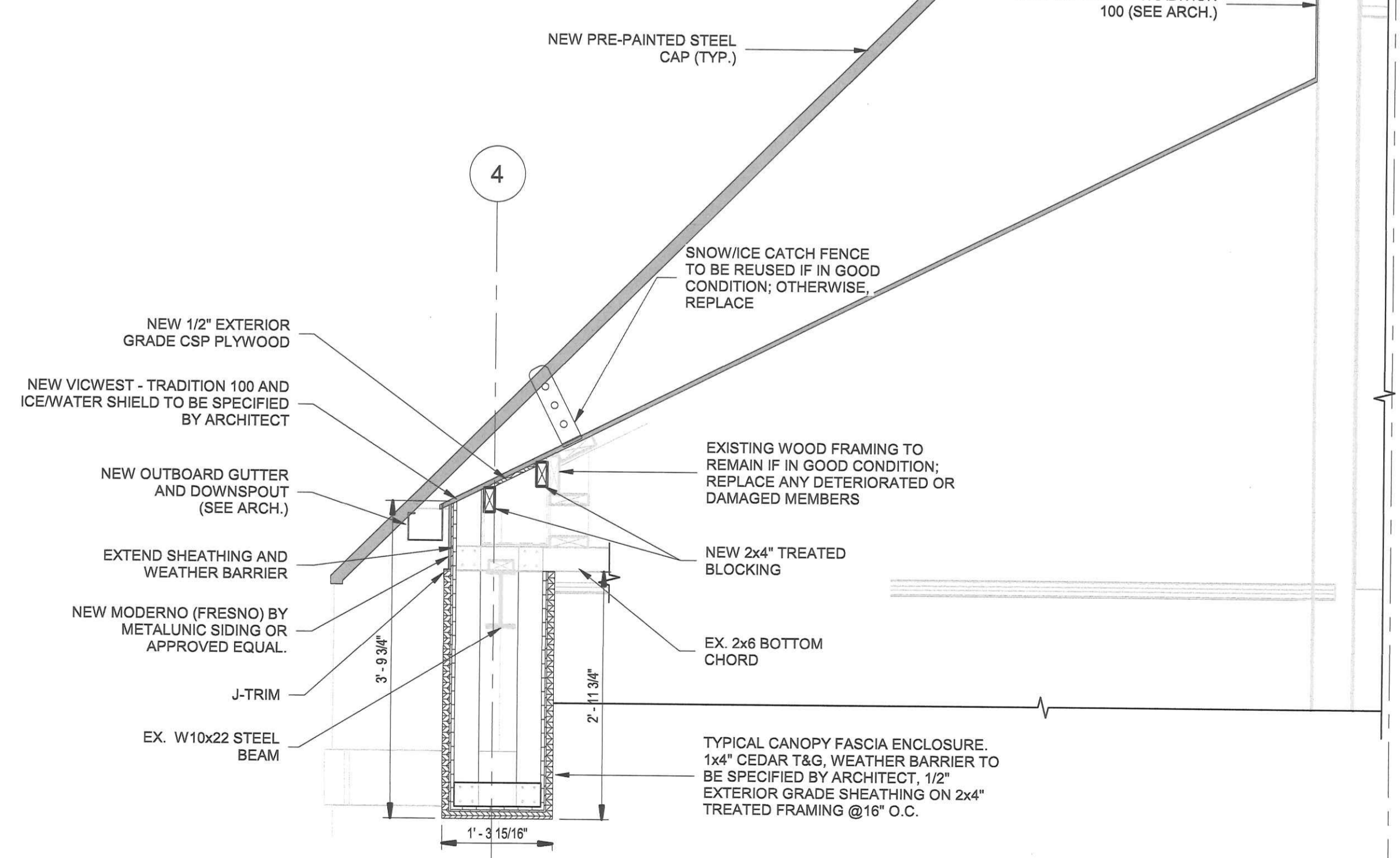
1 TOWER FACADE REPLACEMENT - DETAIL  
SCALE: 1 1/2" = 1'-0"



2 EXISTING & RENOVATION TOWER - ELEVATION  
SCALE: 1/4" = 1'-0"



3 TYPICAL EXTERIOR TOWER FACADE - DETAIL  
SCALE: 1/4" = 1'-0"



4 CANOPY FASCIA / BULKHEAD RENOVATION - DETAIL  
SCALE: 3/4" = 1'-0"

DATE	REV.	REVISIONS	BY
2025/06/05	1	ISSUED FOR CONSTRUCTION	EFI
2025/11/28	0	FOR TENDER	EFI

ISSUED STATUS:

INITIALS:	YYYY/MM/DD
D.M.	2026/06/05
D.M.	2026/06/05
D.M.	2026/06/05
G.C.	2026/06/05



UNAUTHORIZED USE OF DATA; DISCLOSURE OF TECHNICAL INFORMATION CONTAINED HEREIN; OR REPRODUCTION OF THIS DOCUMENT IN WHOLE OR IN PART FOR USE BY THIRD PARTIES IS PROHIBITED WITHOUT PRIOR WRITTEN PERMISSION FROM EFI ENGINEERING INC.



CLIENT: PEACE TREE MALL  
167 AKWESASNE INTERNATIONAL ROAD  
CORNWALL ISLAND, ONTARIO

SITE: PEACE TREE MALL

TITLE: FACADE RENOVATION  
SECTIONS & DETAILS

SCALE: AS SHOWN DATE: 2025/11/21

PROJECT NO: 7940 DRAWING NO: S301 REVISION: 1

7940 S301